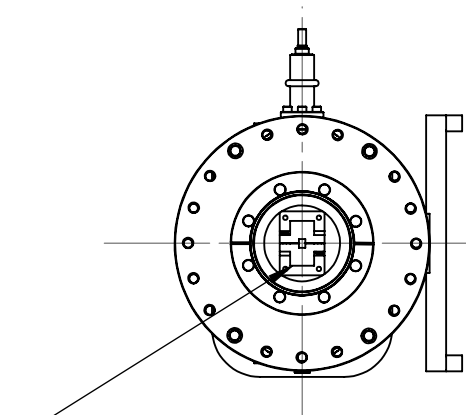


### Adapter Nipple

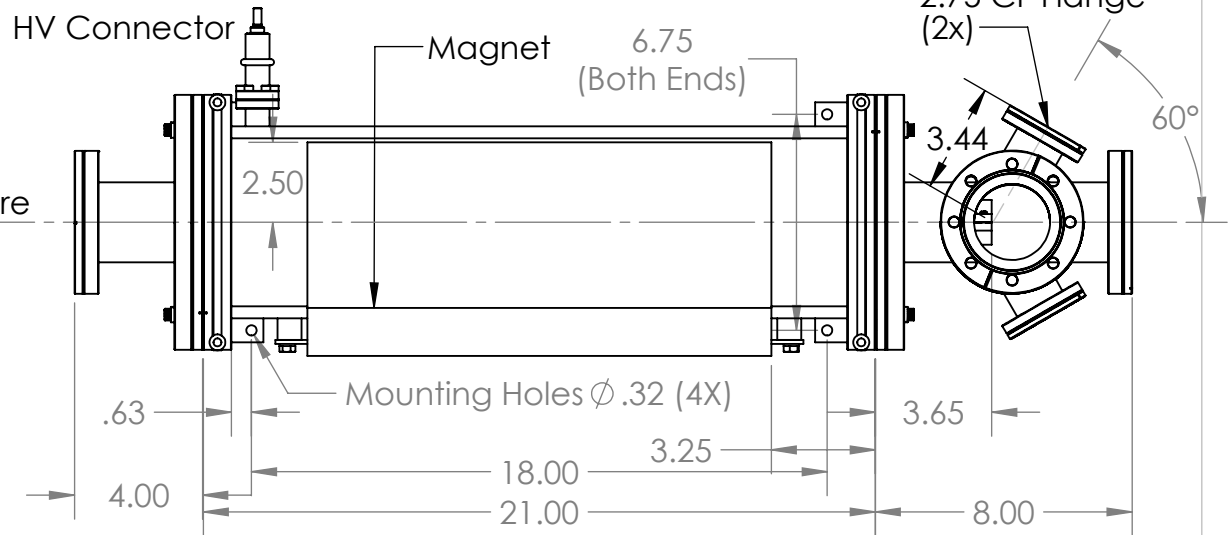
### Differential Pump (Magnet in Place)

### Adapter Cross



Throttle Halves: combine to form apertures up to 10x15mm. The apertures are usually sized to provide 1 mm clearance on all sides of the x-ray beam. Apertures can be different sizes at the two ends of the pump.

Clear-Aperture Centerline



**Normal Direction of X-ray Travel Through DP**  
 ←  
 Clear-Aperture Centerline

Clear-Aperture Centerline to Mounting Bar Bottom Surface 1.50

**Hi Vac End**

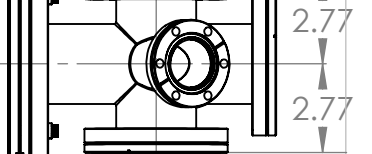
**Ultra-Hi Vac End**

4.5 CF Flange (Both ends)

Target Ball Socket (4 Places)

Magnet

4.5 CF Flange (2 Places)



UNLESS OTHERWISE SPECIFIED:

DIMENSIONS ARE IN INCHES  
 STANDARD TOLERANCES:  
 DECIMAL X.XX ± 0.02  
 DECIMAL X.XXX ± 0.005  
 ANGULAR X.X ± 0.5 DEG

INTERPRET GEOMETRIC TOLERANCING PER:

MATERIAL

FINISH

DATE 7/5/2012



**XIA LLC**

Part No.

Rev: **\$Rev:: 23485** \$

Contact: STUART COLEMAN  
 PHONE: (510) 401-5760 x33  
 E-MAIL: STUART@XIA.COM

Size **A** Title: **ASY-DP-03-CUSTOMER**

SCALE: 1:6

WEIGHT:

SHEET 1 OF 1

THE INFORMATION CONTAINED IN THIS DRAWING IS THE SOLE PROPERTY OF XIA LLC. REPRODUCTION IN WHOLE OR IN PART WITHOUT WRITTEN PERMISSION FROM XIA LLC IS PROHIBITED. PROPRIETARY AND CONFIDENTIAL